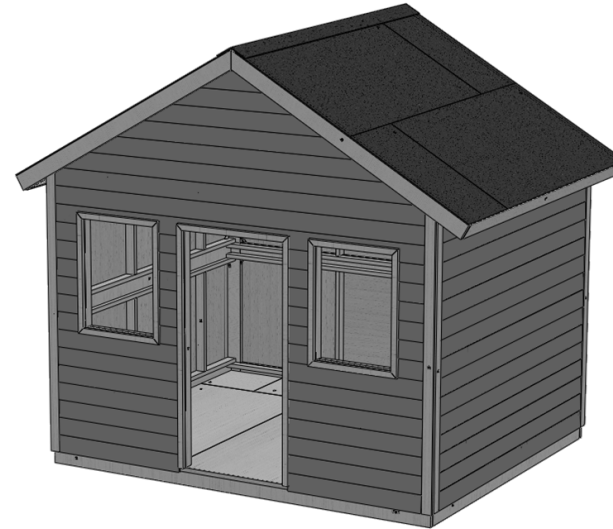


WELCOME TO BEND A SHED

12 X 10 - 01 SHED WITH HORIZONTAL HARDI PLANK SIDING

ORDER QTY	DESCRIPTION	LOWES ITEM	HOME DEPOT MODEL		TOTAL MATERIAL COST
	12X10-01				\$ 1,711.00
	MATERIAL REQUIREMENTS				
				\$ EACH	TOTAL \$
2	2 x 6 x 12 PRESSURE TREATED	<u>84981</u>	<u>168746</u>	\$ 5.97	\$ 11.94
10	2 x 6 x 10 PRESSURE TREATED	<u>84304</u>	<u>124884</u>	\$ 5.08	\$ 50.80
3	2 x 4 x 10 PRESSURE TREATED	<u>76854</u>	<u>2221253</u>	\$ 3.46	\$ 10.38
4	4' X 8' X 3/4 PLYWOOD	<u>12244</u>	<u>166103</u>	\$ 16.25	\$ 65.00
5	JOIST HANGER FOR 2X4	<u>JUS24</u>	<u>LUS26Z</u>	\$ 0.32	\$ 1.60
8	ANGLE CLIP	<u>63532</u>	<u>A23Z</u>	\$ 1.23	\$ 9.84
1	BEND A SHED KIT			\$ 249.00	\$ 249.00
8	2 x 6 x 8 ft	<u>30820</u>	<u>161713</u>	\$ 4.95	\$ 39.60
9	2 x 6 x 10 ft	<u>31100</u>	<u>161721</u>	\$ 5.86	\$ 52.74
2	2 x 6 x 12 ft	<u>31878</u>	<u>161756</u>	\$ 7.05	\$ 14.10
10	2 x 4 x 12 ft	<u>28349</u>	<u>161667</u>	\$ 4.88	\$ 48.80
31	2 x 4 x 10 ft	<u>27172</u>	<u>161659</u>	\$ 4.07	\$ 126.17
8	1 X 4 10 ft	<u>941</u>	<u>914703</u>	\$ 5.82	\$ 46.56
18	7/16 OSB BOARD	<u>12212</u>	<u>386081</u>	\$ 5.77	\$ 103.86
50 FT	Z FLASHING		<u>17845</u>	\$ 13.12	\$ 13.12
2	SOFFIT		<u>217544</u>	\$ 19.47	\$ 38.94
1	FELT PAPER		<u>258830</u>	\$ 16.70	\$ 16.70
7	SHINGLES	<u>202050</u>	<u>202880</u>	\$ 21.25	\$ 148.75
2	28" X 38" WINDOW	<u>318579</u>	<u>202035731</u>	\$ 98.00	\$ 196.00
1	36" METAL DOOR	<u>87470</u>	<u>10923</u>	\$ 119.00	\$ 119.00
48	HARDI PLANK	<u>26892</u>	<u>215518</u>	\$ 7.27	\$ 348.96



IF WE DO NOT HAVE WHAT YOU ARE LOOKING FOR CONTACT US. WE ARE CURENTLY BUILDING OUR LIBRARY AND WOULD BE GLAD TO ADD YOUR SHED DESIGN TO THAT LIBRARY

NOTE:

- COSTS ARE BASED ON INTERNET PRICES AT ZIP CODE 27518 ON 06/15/2011
- READ AND UNDERSTAND ALL INSTRUCTIONS BEFORE STARTING
- IF YOU HAVE QUESTIONS EMAIL OR CALL BEND A SHED FOR ASSISTANCE

12 ft X 10 ft - 01
Shed BOM

Bend-A-Shed
Best Bang For The Buck
Email: www.bendashed/contact.php
Web Site: www.bendashed.com

Sheet
1 of 11

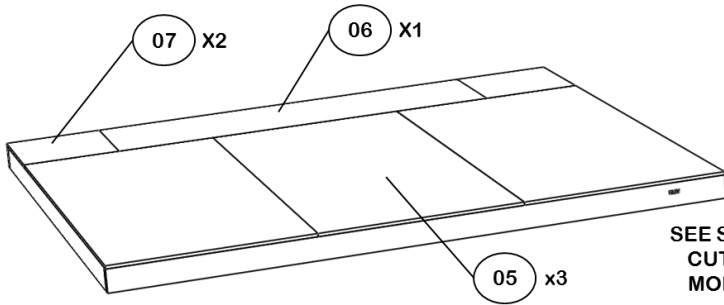
CUT LIST

ORDER QTY	ITEM NO.	CUT QTY	DESCRIPTION	CUT LENGTH		
				FT	IN	FRAC
			12X10-01			
			CUT LIST			
2			2 x 6 x 12 PRESSURE TREATED			
	1	2	PIECES CUT AT	12	0	
10			2 x 6 x 10 PRESSURE TREATED			
	2	7	PIECES CUT AT	9	9	
3			2 x 4 x 10 PRESSURE TREATED			
	3	5	PIECES CUT AT	1	9	3/4
	4	10	PIECES CUT AT	1	10	1/2
4			4' X 8' X 3/4 PLYWOOD			
	5	3	PIECES CUT AT 48" X 96"			
	6	1	PIECES CUT AT 24" X 96"			
	7	2	PIECES CUT AT 24" X 24"			
5			JOIST HANGER FOR 2X4			
8			ANGLE CLIP			
1			BEND A SHED KIT			
8			2 x 6 x 8 ft			
	12	4	PIECES CUT AT	7	8	
	13	4	PIECES CUT AT	7	10	1/2
9			2 x 6 x 10 ft			
	25	1	PIECES CUT AT	10	0	
	21	4	PIECES CUT AT	9	9	
	43	4	PIECES CUT AT	8	1	5/8
2			2 x 6 x 12 ft			
	14	2	PIECES CUT AT	11	1	

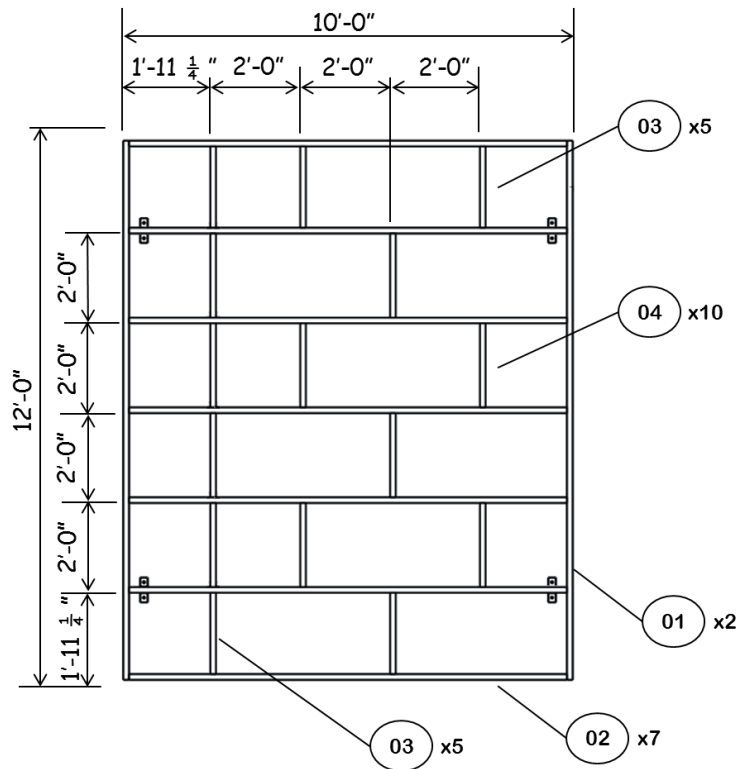
ORDER QTY	ITEM NO.	CUT QTY	DESCRIPTION	CUT LENGTH		
				FT	IN	FRAC
10			2 x 4 x 12 ft			
	15	4	PIECES CUT AT	11	1	
	16	6	PIECES CUT AT	11	9	
31			2 x 4 x 10 ft			
	22	18	PIECES CUT AT	9	9	
	18	2	PIECES CUT AT	6	9	3/4
	17	6	PIECES CUT AT	6	8	1/4
	24	4	PIECES CUT AT	3	2	
	23	4	PIECES CUT AT	3	0	1/4
	20	4	PIECES CUT AT	2	10	1/4
	19	4	PIECES CUT AT	2	4	
	27	8	PIECES CUT AT	1	10	1/2
	26	4	PIECES CUT AT	1	10	5/16
	28	4	PIECES CUT AT	1	3	1/4
	46	1	PIECES CUT AT	3	5	
8			1 X 4 10 FT			
	44	4	PIECES CUT AT	8	2	1/4
	45	4	PIECES CUT AT	8	0	
18			7/16 OSB BOARD			
	VARIOUS		SEE INSTRUCTIONS			
50 FT			Z FLASHING			
	42		CUT TO FIT			
2			SOFFIT			
	29		PIECES CUT AT	12	0	
1			FELT PAPER			
7			SHINGLES			
2			28" X 38" WINDOW			
1			36" METAL DOOR			
48			HARDI PLANK			

12 ft X 10 ft - 01
Shed BOM

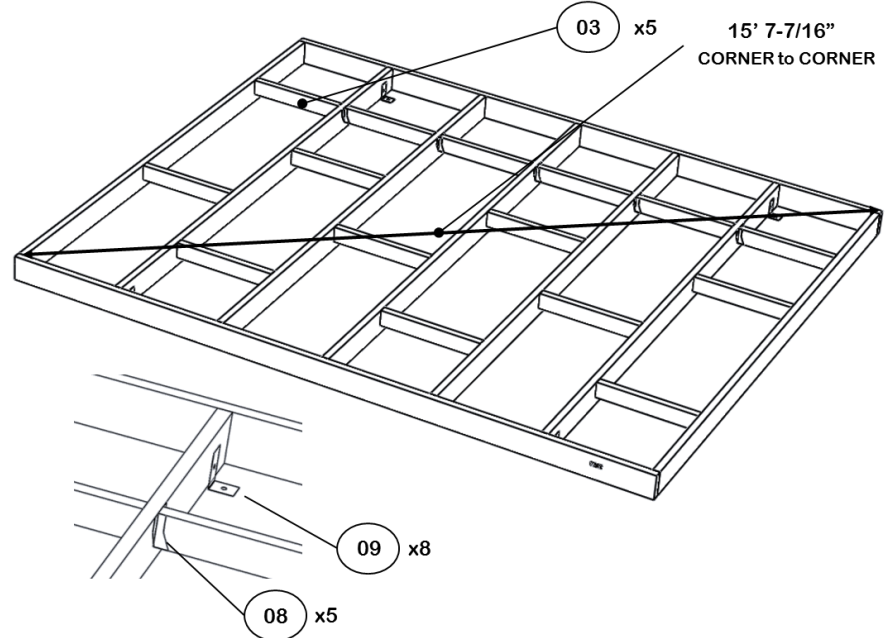
Bend-A-Shed
Best Bang For The Buck
Email: www.bendashed/contact.php
Web Site: www.bendashed.com



Item	Description	Quantity
1	2x6x 12'-0" PRESSURE TREATED	2
2	2x6x 9'-9" PRESSURE TREATED	7
3	2x4x 21 3/4 " PRESSURE TREATED	5
4	2x4x 22 1/2 " PRESSURE TREATED	10
5	4' x 8' x 3/4 " PLYWOOD	3
6	2' x 8' x 3/4 " PLYWOOD	1
7	2' x 2' x 3/4 " PLYWOOD	2
8	2x4 JOIST CLIP	5
9	ANGLE BRACKET	8
	16d x 3 1/2 DECK NAIL	BOX
	8d x 2 1/2 RING SHANK NAIL	BOX
	8d x 1 1/2 GAVL NAIL	BOX

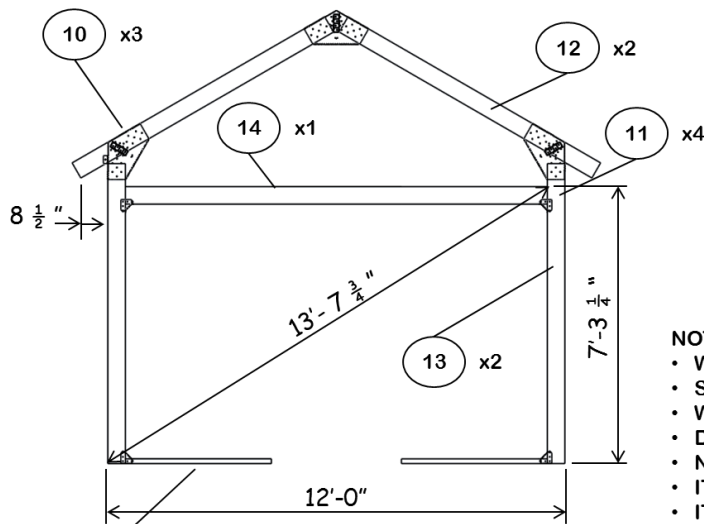


- NOTE:
- NAIL ONE END OF ITEM 3 AND USE A JOIST CLIP ON THE OTHER END.
 - ANGLE CLIPS CAN BE USED TO ATTACH TO CONCRETE OR 4X6 RUNNERS
 - NEVER SET THE SHED FRAME DIRECTLY ON THE GROUND
 - MAKE SURE YOU BUILD THE FLOOR SQUARE BY MEASURING CORNER TO CORNER IN BOTH DIRECTIONS AND HAVE THE SAME DIMENSION (REFERENCE 15'-7 7/16")



Shed Floor 12 ft X 10 ft - 01

Bend-A-Shed
 Best Bang For The Buck
 Email: www.bendashed/contact.php
 Web Site: www.bendashed.com

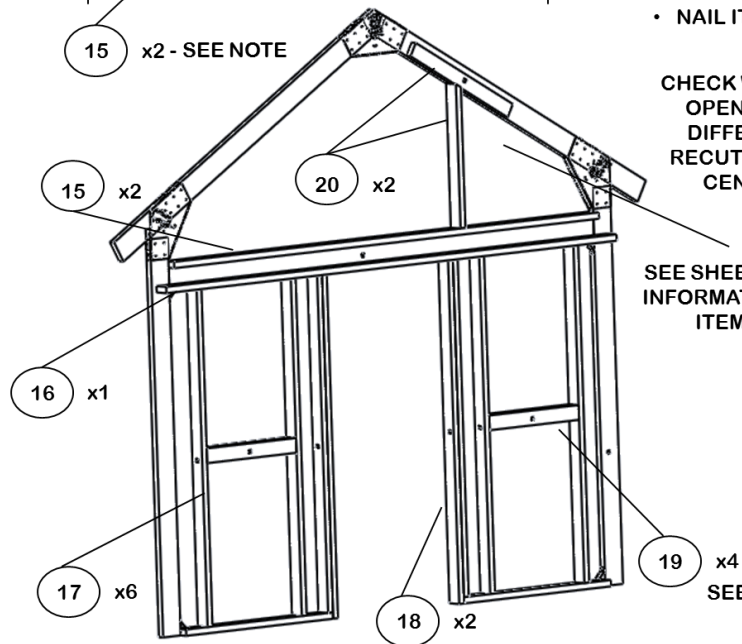


SEE SHOPPING & CUT LIST FOR MORE DETAIL

Item	Description	Quantity
10	BEND A SHED ANGLE BRACKET	3
11	BEND A SHED T-BRACKET	4
12	2x6x 7'-8"	2
13	2x6x 7'-10 1/2"	2
14	2x6x 11'-1"	1
15	2x4x 11'-1"	2
16	2x4x 11'-9"	1
17	2x4x 6'-8 1/4"	6
18	2x4x 6'-9 3/4"	2
19	2x4x 2'-4"	4
20	2x4x 2'-10 1/4"	2
	FLUSH HEAD SCREW 8 X 1 1/2	
	16d x 3 1/2 GALV RING SHANK NAIL	

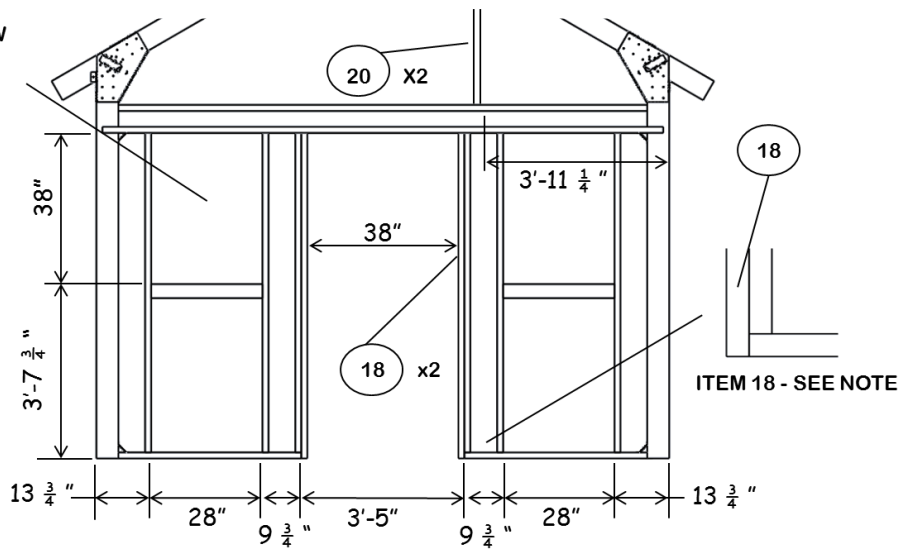
NOTE:

- WINDOW OPENINGS MAY CHANGE DUE TO AVAILABILITY OF STORE INVENTORY
- SEE BRACKET INSTRUCTIONS AND PROPER ALIGNMENT METHODS
- WALL FRAMED FOR A 36" DOOR AND TWO 28" X 38" WINDOWS
- DO NOT CUT ITEM 15 UNTIL ALL OF THE FRONT WALL IS COMPLETE AND 18 IS READY TO INSTALL
- NAIL ITEMS 17 IN PLACE WORKING FROM THE OUTSIDE IN
- ITEM 19 IS NAILED IN PLACE SIDE BY SIDE FLUSH WITH THE FRONT AND BACK OF ITEMS 17
- ITEM 18 IS THE LAST 2X4 TO BE NAILED IN PLACE AFTER CUTTING ITEM 15 ON THE BOTTOM
- NAIL ITEM 15 TO TOP OF ITEM 14 FLUSH WITH THE OUTSIDE OF ITEM 14



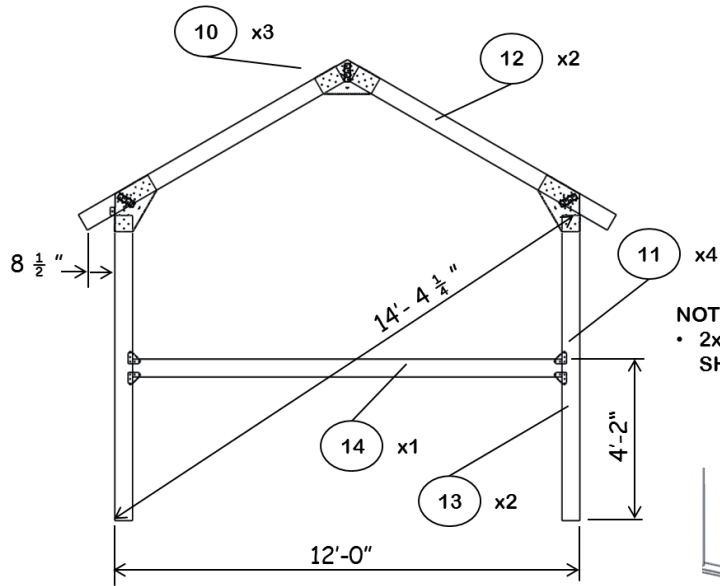
CHECK WINDOW OPENING IF DIFFERENT RECUT 19 AND CENTER

SEE SHEET 5 FOR INFORMATION ON ITEM 20



Front A-Frame 12 ft X 10 ft - 01

Bend-A-Shed
Best Bang For The Buck
Email: www.bendashed/contact.php
Web Site: www.bendashed.com

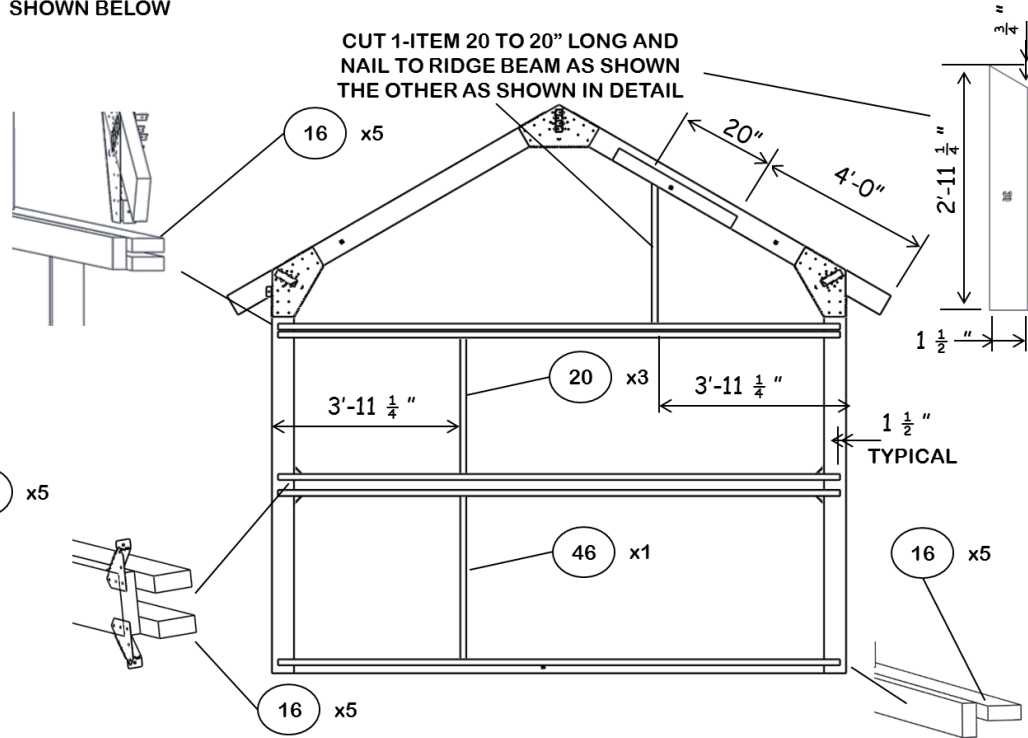
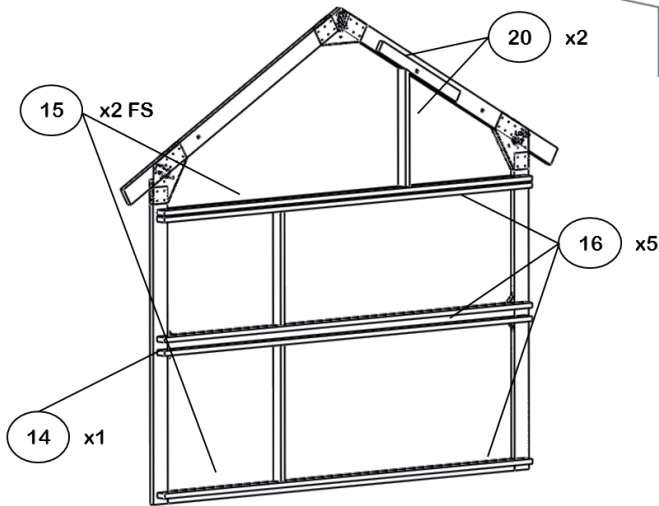


SEE SHOPPING & CUT LIST FOR MORE DETAIL

NOTE:

- 2x4's No 16 ARE NAILED FLUSH WITH THE TOP AND OR BOTTOM OF THE MATING MEMBER AS SHOWN BELOW

Item	Description	Quantity
10	BEND A SHED ANGLE BRACKET	3
11	BEND A SHED T-BRACKET	4
12	2x6x 7'-8"	2
13	2x6x 7'-10 1/2"	2
14	2x6x 11'-1"	1
15	2x4x 11'-1"	3
16	2x4x 11'-9"	5
20	2x4x 2'-10 1/4"	3
46	2x4x 3'-5"	1
1	FLUSH HEAD SCREW 8 X 1 1/2	BOX
1	16d x 3 1/2 FRAMING NAIL	BOX



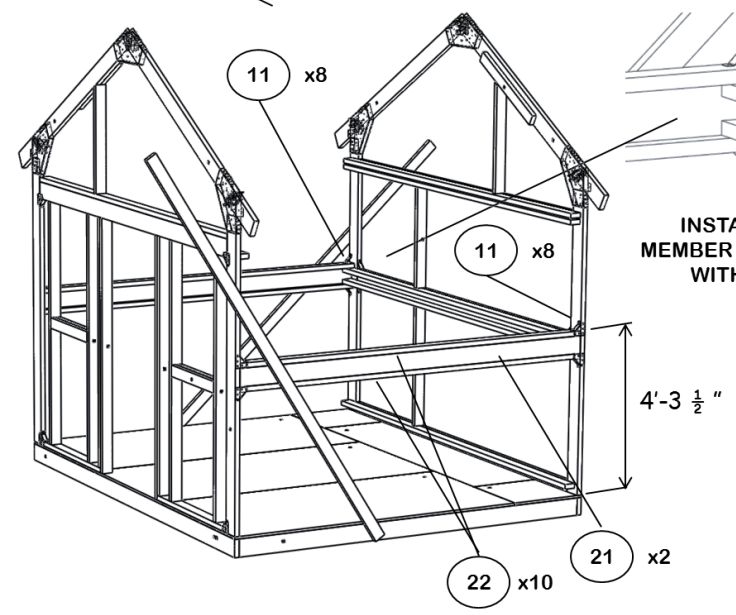
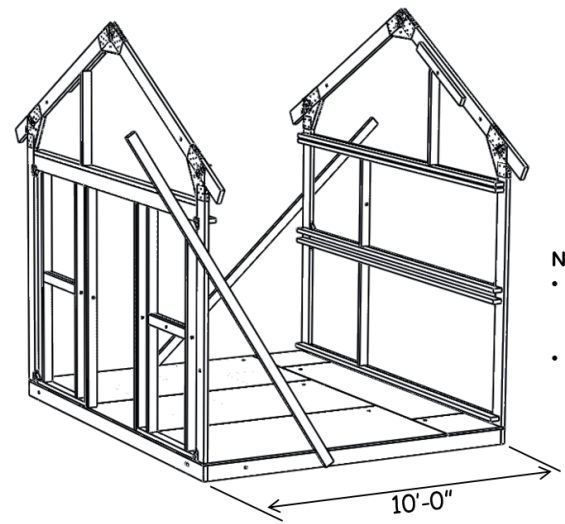
Rear Wall 12 ft x 10 ft- 01

Bend-A-Shed
Best Bang For The Buck
Email: www.bendashed/contact.php
Web Site: www.bendashed.com

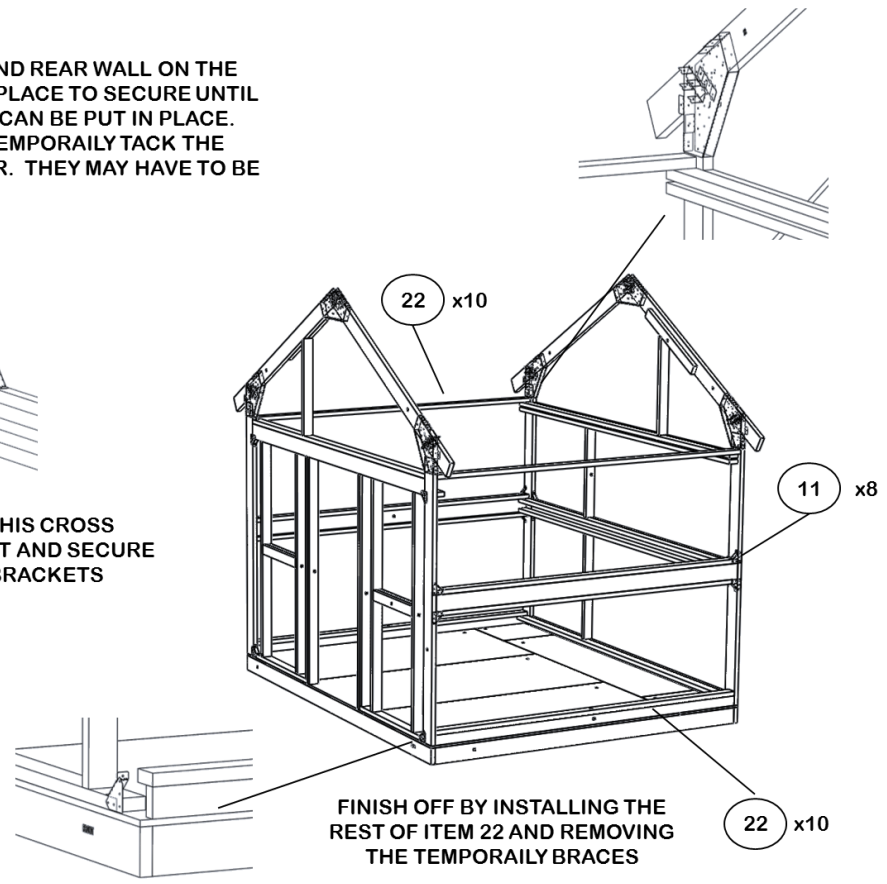
Item	Description	Quantity
11	BEND A SHED T-BRACKET	8
21	2x6x 9'-9"	2
22	2x4x 9'-9"	10
1	16d x 3 1/2 FRAMING NAIL	BOX
1	#8 x 1 1/2 FLUSH HEAD SCREW	BOX

SEE SHOPPING & CUT LIST FOR MORE DETAIL

- NOTE:**
- STAND THE FRONT AND REAR WALL ON THE FLOOR AND TACK IN PLACE TO SECURE UNTIL THE SIDE SUPPORTS CAN BE PUT IN PLACE.
 - USE TWO NAILS TO TEMPORARILY TACK THE WALLS TO THE FLOOR. THEY MAY HAVE TO BE MOVED A LITTLE

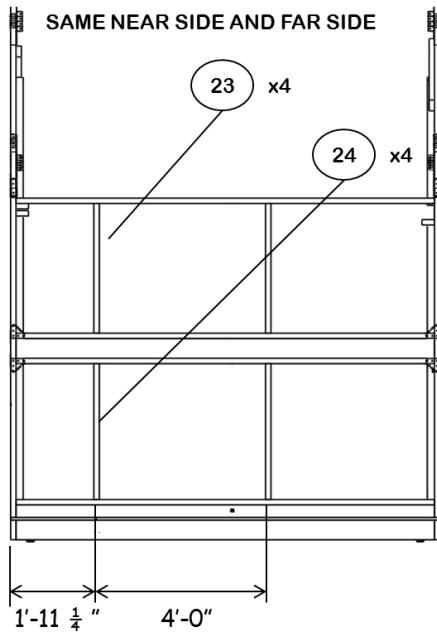


INSTALL THIS CROSS MEMBER FIRST AND SECURE WITH T-BRACKETS



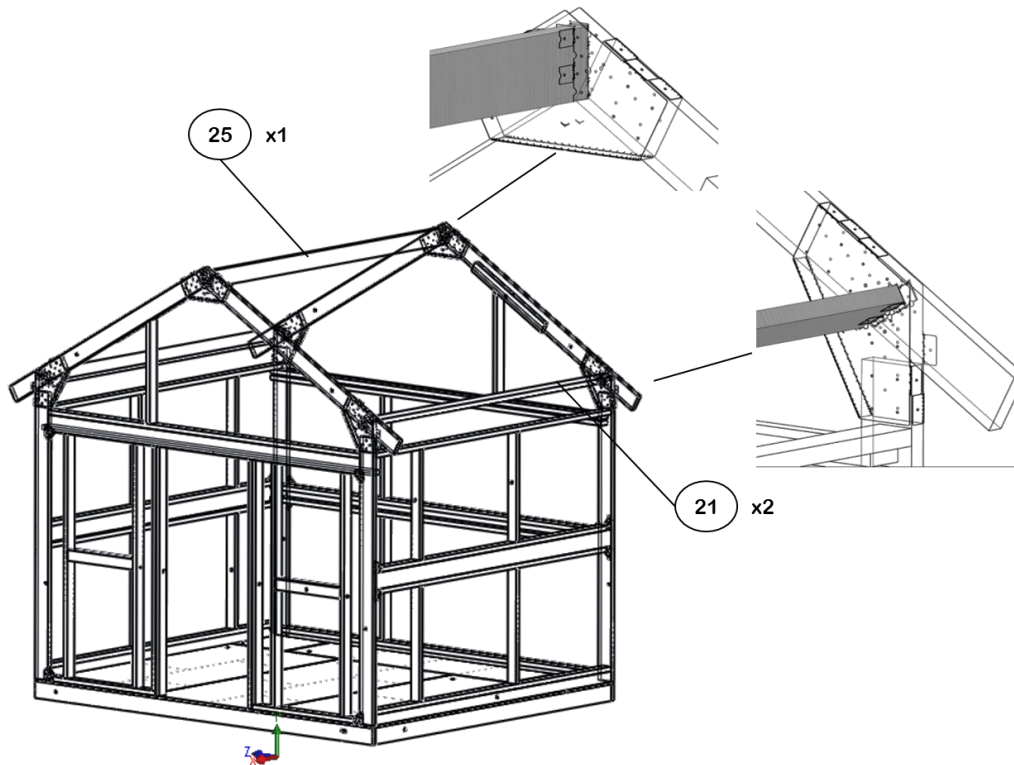
Wall Erection w/ sides 12 ft x 10 ft -01

Bend-A-Shed
 Best Bang For The Buck
 Email: www.bendashed/contact.php
 Web Site: www.bendashed.com



SEE SHOPPING & CUT LIST FOR MORE DETAIL

Item	Description	Quantity
23	2x4x 3'-0 1/4 "	4
24	2x4x 3'-2"	4
25	2x6x 10'-0"	1
21	2x6x 9'-9"	2
	16d x 3 1/2 FRAMING NAIL	BOX
	#8 x 1 1/2 FLUSH HEAD SCREW	BOX

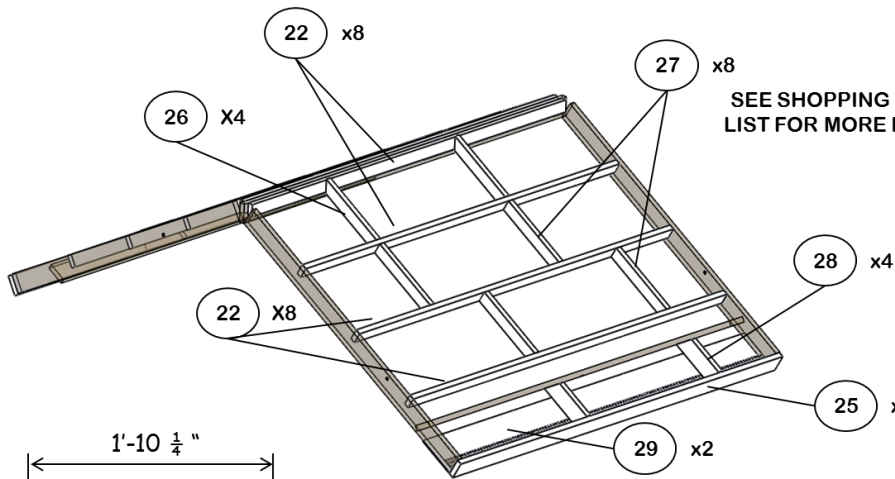


NOTE:

- YOU CAN NAIL THROUGH THE BEND A SHED ANGLE BRACKETS INTO THE END OF ITEMS 21 & 25

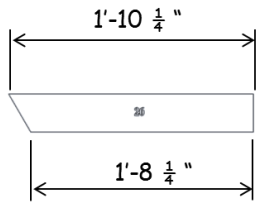
Side Wall & Roof 12 ft X 10 ft - 01

Bend-A-Shed
Best Bang For The Buck
Email: www.bendashed/contact.php
Web Site: www.bendashed.com

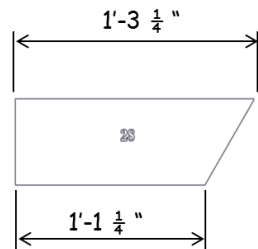


SEE SHOPPING & CUT LIST FOR MORE DETAIL

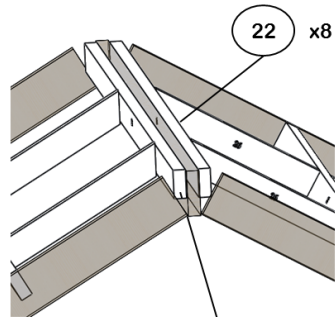
Item	Description	Quantity
22	2x4x 9'-9"	8
26	2x4x 1'-10 1/4" SEE DETAIL	4
27	2x4x 1'-10 1/2"	8
28	2x4x 1'-3 1/4"	4
25	2x6x 10'-0"	2
29	SOFFIT x 10'-0"	2
	16d x 3 1/2" FRAMING NAIL	BOX



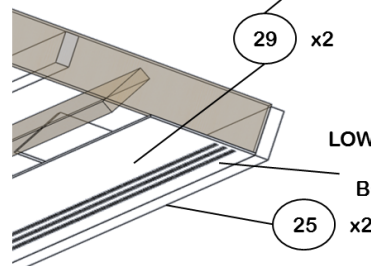
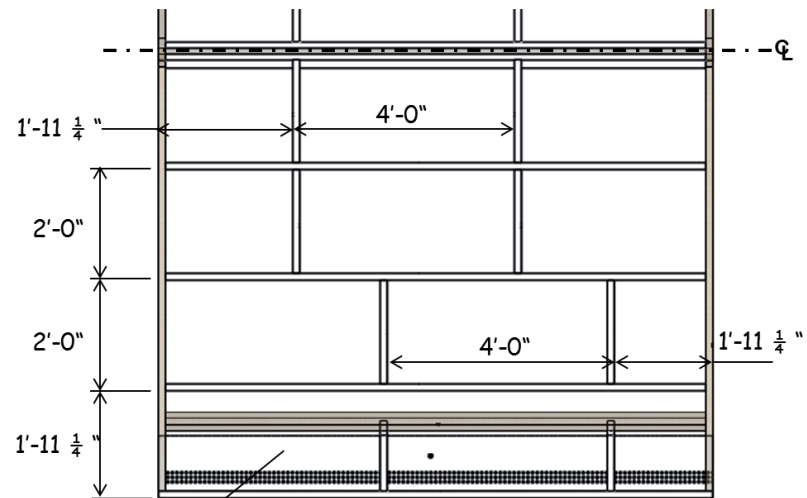
Item 26



Item 28



ITEM 22 IS NAILED FLUSH WITH THE TOP OF THE RIDGE BEAM



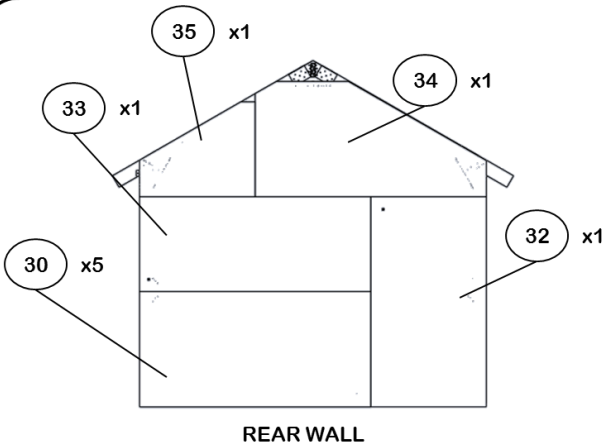
LOWER ITEM 25 ENOUGH TO BE FLUSH WITH THE BOTTOM OF SOFFIT 29.

NOTE:

- SHADED ITEMS ARE PART OF ANOTHER DETAIL SHEET

Roof Framing 12 ft X 10 ft - 01

Bend-A-Shed
Best Bang For The Buck
Email: www.bendashed/contact.php
Web Site: www.bendashed.com



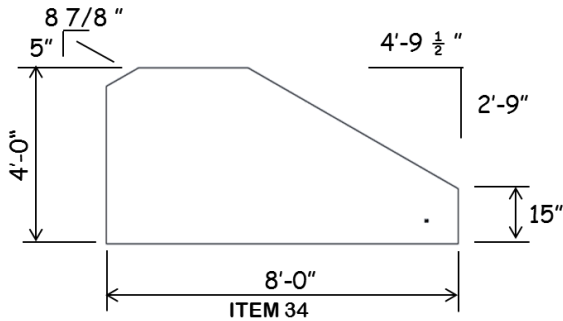
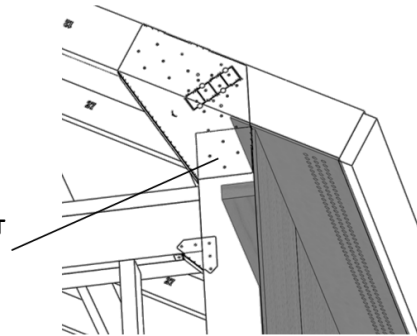
REAR WALL

SEE SHOPPING & CUT LIST FOR MORE DETAIL

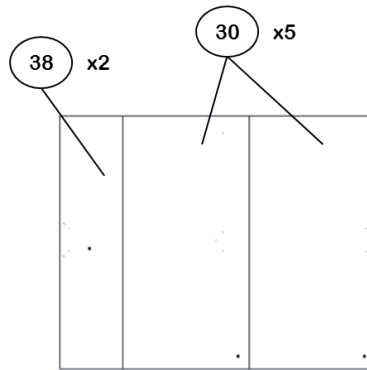
Item	Description	Quantity
30	7/16 OSB BOARD 48 x 96	5
32	7/16 OSB BOARD 48 x 87 1/2	1
33	7/16 OSB BOARD 39 1/2 x 96	1
34	7/16 OSB BOARD SEE DETAIL BELOW	1
35	7/16 OSB BOARD SEE DETAIL BELOW	1
38	7/16 OSB BOARD 24 x 96	2
42	Z-FLASHING 50 ft	
	8d x 1 1/2 GALV NAIL	

NOTE:

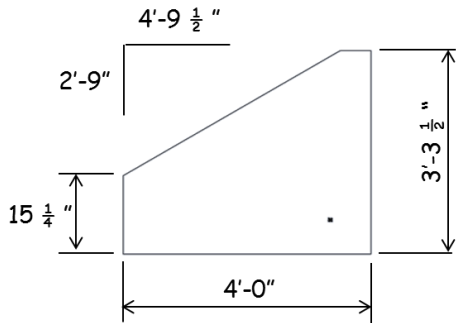
- START INSTALLING THE SHEETING ON ONE OF THE SIDE CORNERS BY HOLDING FLUSH WITH THE 2x6 CORNER POST AND UP TIGHT AGAINST THE SOFFIT.
- THIS WILL SET THE STARTING POINT ON THE BOTTOM OF THE FRONT AND REAR WALL



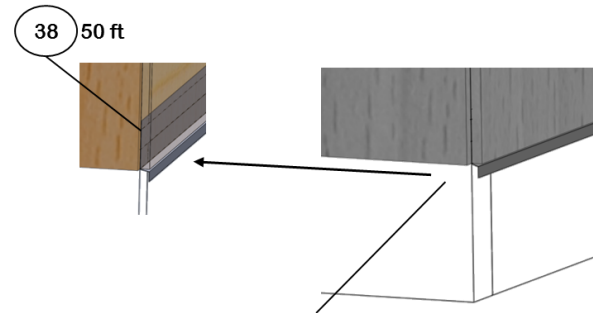
ITEM 34



SIDE WALL 2 REQD

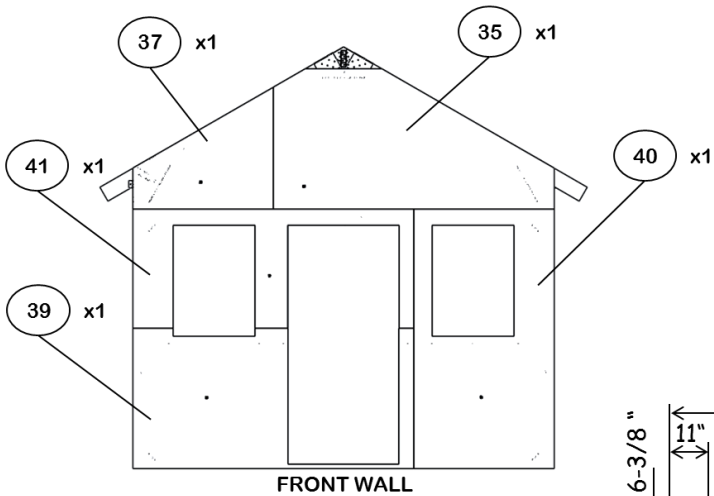


ITEM 35



NOTE:

- SET FRONT SHEETING EVEN WITH THE BOTTOM OF THE SHEETING ON THE SIDE WALL
- INSTALL Z-FLASHING UNDER AND BEHIND THE LOWER EDGES OF SHEETING



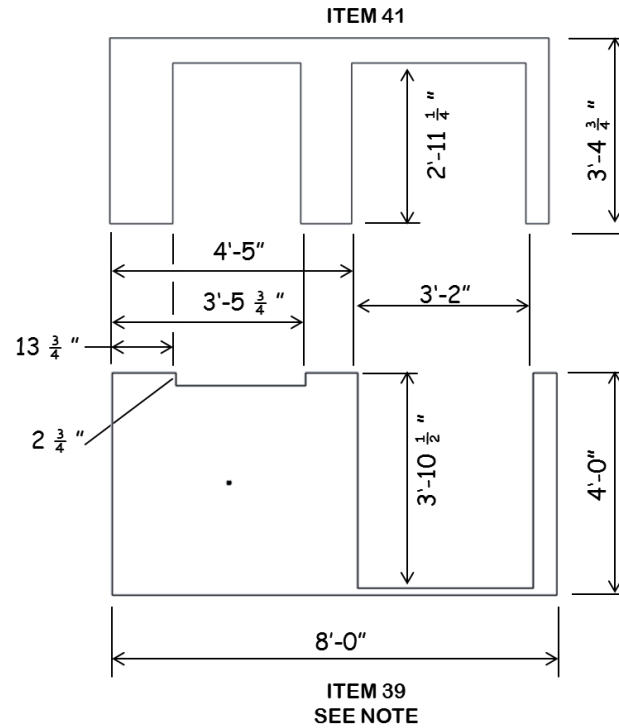
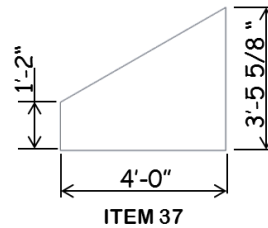
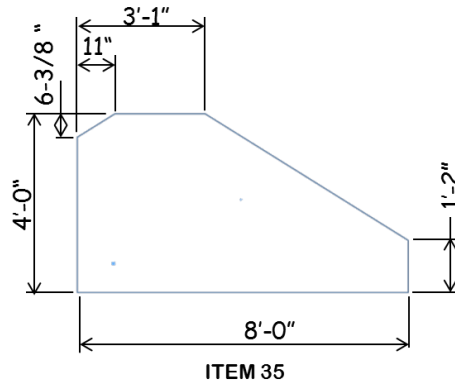
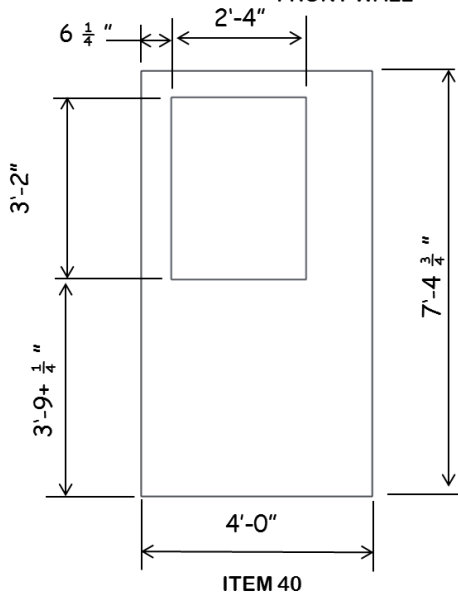
SEE SHOPPING & CUT LIST FOR MORE DETAIL

Item	Description	Quantity
35	7/16 OSB BOARD CUT AS SHOWN	1
37	7/16 OSB BOARD CUT AS SHOWN	1
39	7/16 OSB BOARD CUT AS SHOWN	1
40	7/16 OSB BOARD CUT AS SHOWN	1
41	7/16 OSB BOARD CUT AS SHOWN	1

8d x 1 1/2 GALV RING SHANK NAIL BOX

Note:

- CONFIRM ALL MEASUREMENTS BEFORE YOU CUT THE OSB BOARD. BUILDING STRUCTURES WILL VARY ONE FROM ANOTHER.
- ITEMS 39 & 41 CAN BE MADE FROM SEVERAL PIECES INSTEAD OF CUTTING AS SHOWN HERE.

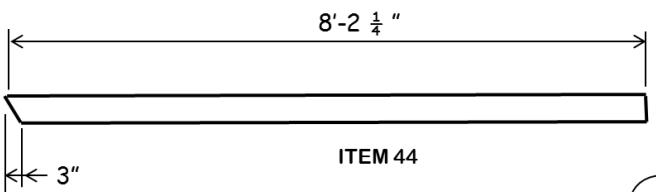
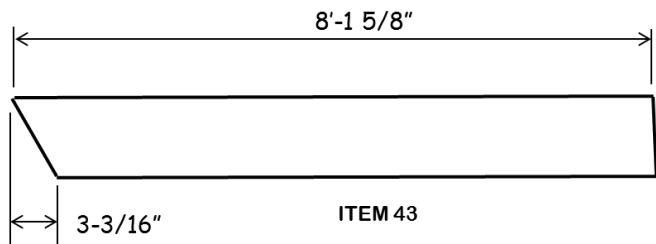


Front Wall Sheeting 12 ft X 10 ft - 01

Bend-A-Shed

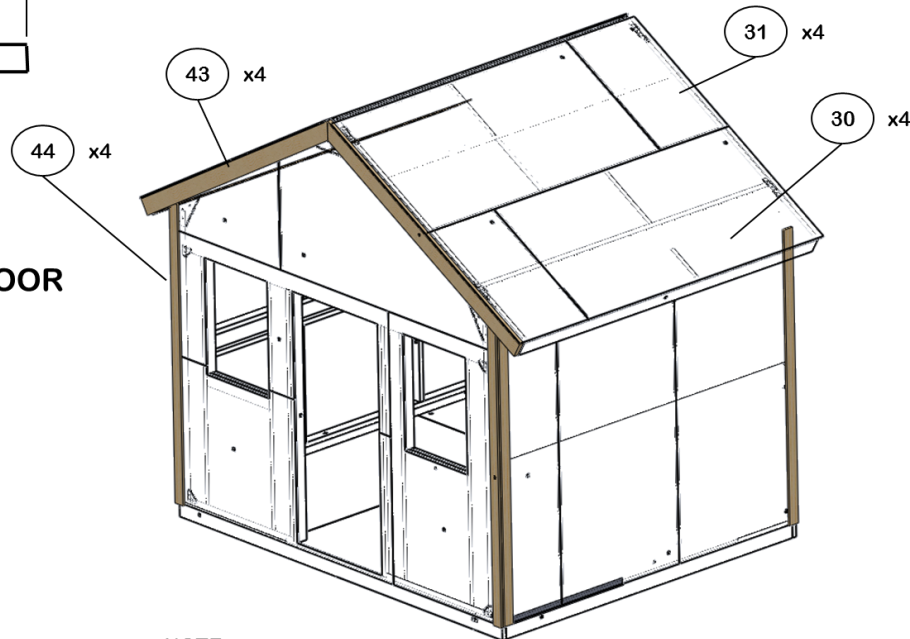
Best Bang For The Buck
Email: www.bendashed/contact.php
Web Site: www.bendashed.com

Sheet
10 of 11



Item	Description	Quantity
30	7/16 OSB BOARD 48x96	4
31	7/16 OSB BOARD 24x48	4
32	ROLL FELT PAPER	1
33	BUNDLES OF 3 TAB SHINGLES	7
34	EDGE FLASHING FOR SHINGLES 50 ft	
43	2x6x 8'-1 5/8"	4
44	1x4x 8'-2 1/4 "	4
45	1x4x 8'-0"	4
	16d x 3 1/2 GALV RING SHANK NAIL	BOX

SEE SHOPPING & CUT LIST FOR MORE DETAIL



NOTE:

- FOR ROOFING, SIDING, WINDOWS AND DOOR SEE MANUFACTURER'S RECOMMENDED INSTRUCTIONS

NOTE:

- INSTALL TRIM 43 BEFORE THE ROOF SHEETING. THE ROOF SHEETING IS NAILED FLUSH WITH THE OUTSIDE EDGE OF THIS TRIM

Roof Sheeting and Trim 12 ft X 10 ft - 01

Bend-A-Shed
Best Bang For The Buck
Email: www.bendashed/contact.php
Web Site: www.bendashed.com