

WELCOME TO BEND A SHED

12 X 10 – 02 SHED WITH HORIZONTAL HARDI PLANK SIDING

ORDER QTY	DESCRIPTION	LOWES ITEM	HOME DEPOT MODEL		TOTAL MATERIAL COST
	12X10-02				\$ 1,620.45
	MATERIAL REQUIREMENTS				
				\$ EACH	TOTAL \$
2	2 x 6 x 12 PRESSURE TREATED	<u>84981</u>	<u>168746</u>	\$ 5.97	\$ 11.94
10	2 x 6 x 10 PRESSURE TREATED	<u>84304</u>	<u>124884</u>	\$ 5.08	\$ 50.80
3	2 x 4 x 10 PRESSURE TREATED	<u>76854</u>	<u>2221253</u>	\$ 3.46	\$ 10.38
4	4' X 8' X 3/4 PLYWOOD	<u>12244</u>	<u>166103</u>	\$ 16.25	\$ 65.00
5	JOIST HANGER FOR 2X4	<u>JUS24</u>	<u>LUS26Z</u>	\$ 0.32	\$ 1.60
8	ANGLE CLIP	<u>63532</u>	<u>A23Z</u>	\$ 1.23	\$ 9.84
1	BEND A SHED KIT			\$ 249.00	\$ 249.00
8	2 x 6 x 8 ft	<u>30820</u>	<u>161713</u>	\$ 4.95	\$ 39.60
7	2 x 6 x 10 ft	<u>31100</u>	<u>161721</u>	\$ 5.86	\$ 52.74
4	2 x 6 x 12 ft	<u>31878</u>	<u>161756</u>	\$ 7.05	\$ 14.10
37	2 x 4 x 12 ft	<u>28349</u>	<u>161667</u>	\$ 4.88	\$ 180.56
8	1 X 4 10 ft	<u>941</u>	<u>914703</u>	\$ 5.82	\$ 46.56
18	7/16 OSB BOARD	<u>12212</u>	<u>386081</u>	\$ 5.77	\$ 103.86
50 FT	Z FLASHING		<u>17845</u>	\$ 13.12	\$ 13.12
2	SOFFIT		<u>217544</u>	\$ 19.47	\$ 38.94
1	FELT PAPER		<u>258830</u>	\$ 16.70	\$ 16.70
7	SHINGLES	<u>202050</u>	<u>202880</u>	\$ 21.25	\$ 148.75
1	24" X 36" WINDOW	<u>318579</u>	<u>202035731</u>	\$ 99.00	\$ 99.00
1	36" METAL DOOR	<u>87470</u>	<u>10923</u>	\$ 119.00	\$ 119.00
48	HARDI PLANK	<u>26892</u>	<u>215518</u>	\$ 7.27	\$ 348.96



IF WE DO NOT HAVE WHAT YOU ARE LOOKING FOR CONTACT US. WE ARE CURRENTLY BUILDING OUR LIBRARY AND WOULD BE GLAD TO ADD YOUR SHED DESIGN TO THAT LIBRARY

NOTE:

- COSTS ARE BASED ON INTERNET PRICES AT ZIP CODE 27518 ON 06/15/2011
- READ AND UNDERSTAND ALL INSTRUCTIONS BEFORE STARTING
- IF YOU HAVE QUESTIONS EMAIL OR CALL BEND A SHED FOR ASSISTANCE

12 ft X 10 ft - 02
Shed BOM

Bend-A-Shed
Best Bang For The Buck
Email: www.bendashed/contact.php
Web Site: www.bendashed.com

Sheet
1 of 10

CUT LIST

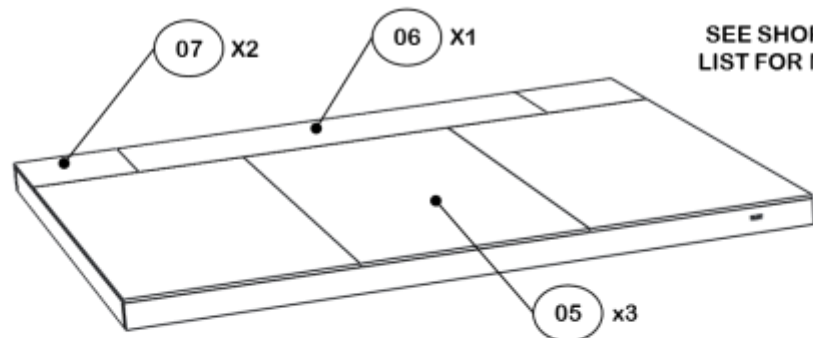
ORDER QTY	ITEM NO.	CUT QTY	DESCRIPTION	CUT LENGTH		
				FT	IN	FRAC
			12X10-01			
			CUT LIST			
2			2 x 6 x 12 PRESSURE TREATED			
	1	2	PIECES CUT AT	12	0	
10			2 x 6 x 10 PRESSURE TREATED			
	2	7	PIECES CUT AT	9	9	
3			2 x 4 x 10 PRESSURE TREATED			
5			JOIST HANGER FOR 2X4			
8			ANGLE CLIP			
1			BEND A SHED KIT			
8			2 x 6 x 8 ft			
	12	4	PIECES CUT AT	7	8	
	43	4	PIECES CUT AT	8	0	
7			2 x 6 x 10 ft			
	21	4	PIECES CUT AT	9	9	
	13	4	PIECES CUT AT	7	10	1/2
	28	4	PIECES CUT AT	1	3	1/4
	25	1	PIECES CUT AT	10	0	
4			2 x 6 x 12 ft			
	53	2	PIECES CUT AT	10	3	7/8
	14	2	PIECES CUT AT	11	1	

ORDER QTY	ITEM NO.	CUT QTY	DESCRIPTION	CUT LENGTH		
				FT	IN	FRAC
37			2 x 4 x 12 ft			
	15	4	PIECES CUT AT	11	1	
	16	10	PIECES CUT AT	11	9	
	22	14	PIECES CUT AT	9	9	
	18	2	PIECES CUT AT	6	9	3/4
	17	5	PIECES CUT AT	6	8	1/4
	49	1	PIECES CUT AT	4	11	
	50	2	PIECES CUT AT	3	5	
	24	2	PIECES CUT AT	3	2	
	23	2	PIECES CUT AT	3	0	1/4
	51	2	PIECES CUT AT	2	11	1/4
	20	4	PIECES CUT AT	2	10	1/4
	47	2	PIECES CUT AT	2	0	
	27	8	PIECES CUT AT	1	10	1/2
	26	4	PIECES CUT AT	1	10	5/16
	48	1	PIECES CUT AT	1	5	
	52	1	PIECES CUT AT	10	0	
8			1 X 4 10 FT			
	44	4	PIECES CUT AT	8	2	1/4
	45	4	PIECES CUT AT	8	0	
18			7/16 OSB BOARD			
	VARIOUS		SEE INSTRUCTIONS			
50 FT			Z FLASHING			
	42		CUT TO FIT			
2			SOFFIT			
	29		PIECES CUT AT	12	0	
1			FELT PAPER			
7			SHINGLES			
1			24" X 36" WINDOW			
1			36" METAL DOOR			
48			HARDY PLANK			

12 ft X 10 ft - 02
Shed BOM

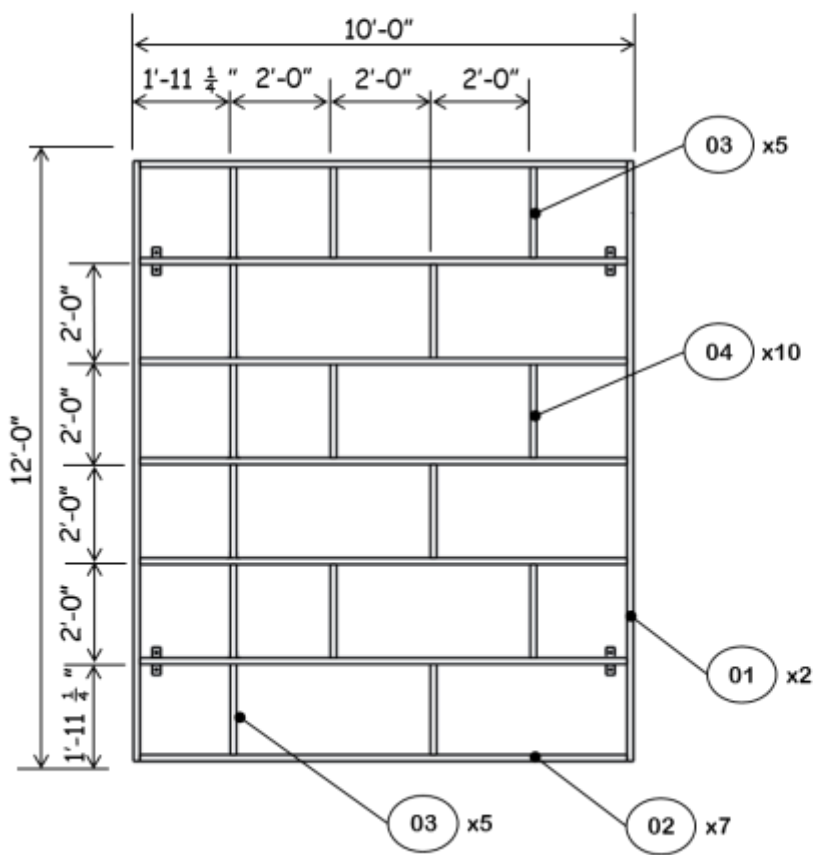
Bend-A-Shed
Best Bang For The Buck
Email: www.bendashed/contact.php
Web Site: www.bendashed.com

Sheet
2 of 10



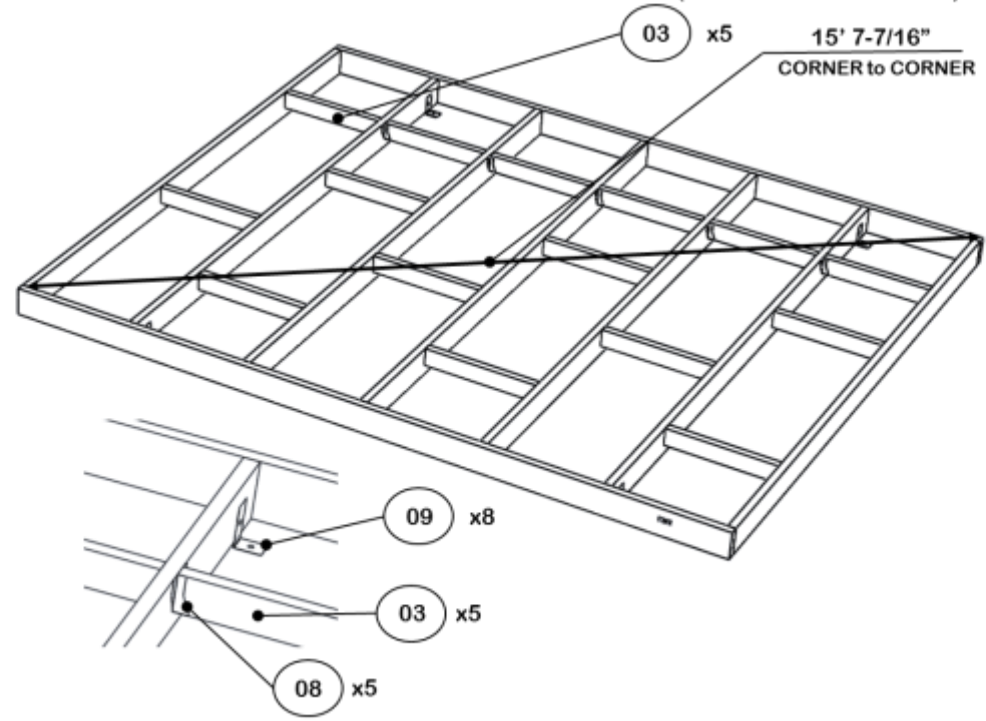
SEE SHOPPING & CUT LIST FOR MORE DETAIL

Item	Description	Quantity
1	2x6x 12'-0" PRESSURE TREATED	2
2	2x6x 9'-9" PRESSURE TREATED	7
3	2x4x 21 3/4" PRESSURE TREATED	5
4	2x4x 22 1/2" PRESSURE TREATED	10
5	4' x 8' x 3/4" PLYWOOD	3
6	2' x 8' x 3/4" PLYWOOD	1
7	2' x 2' x 3/4" PLYWOOD	2
8	2x4 JOIST CLIP	5
9	ANGLE BRACKET	8
	16d x 3 1/2" DESK NAIL	BOX
	8d x 2 1/2" RING SHANK NAIL	BOX
	8d x 1 1/2" GAVL NAIL	BOX



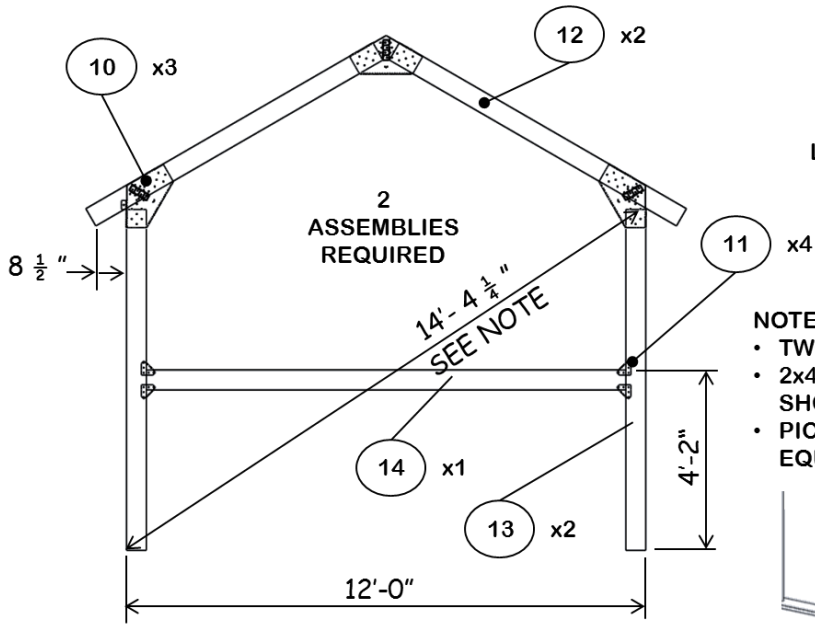
NOTE:

- NAIL ONE END OF ITEM 3 AND USE A JOIST CLIP ON THE OTHER END.
- ANGLE CLIPS CAN BE USED TO ATTACH TO CONCRETE OR 4X6 RUNNERS
- NEVER SET THE SHED FRAME DIRECTLY ON THE GROUND
- MAKE SURE YOU BUILD THE FLOOR SQUARE BY MEASURING CORNER TO CORNER IN BOTH DIRECTIONS AND HAVE THE SAME DIMENSION (REFERENCE 15'-7 7/16")



**Shed Floor
12 ft X 10 ft - 02**

Bend-A-Shed
Best Bang For The Buck
Email: www.bendashed/contact.php
Web Site: www.bendashed.com

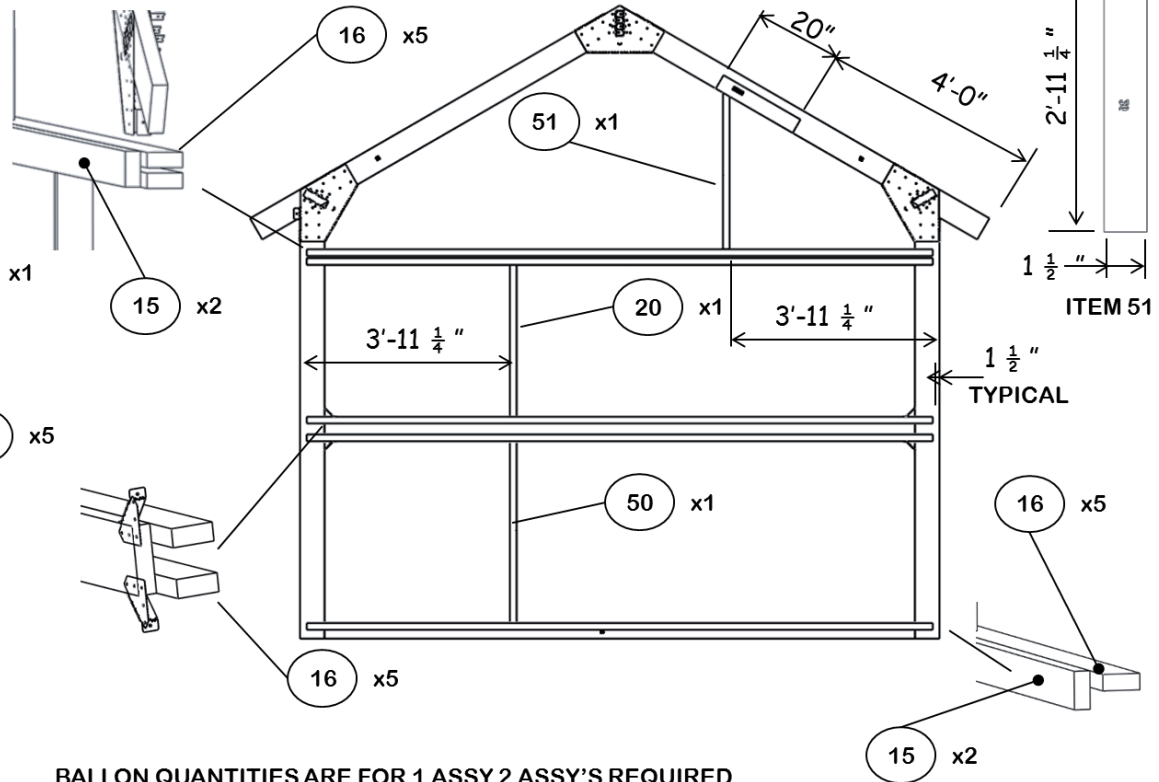
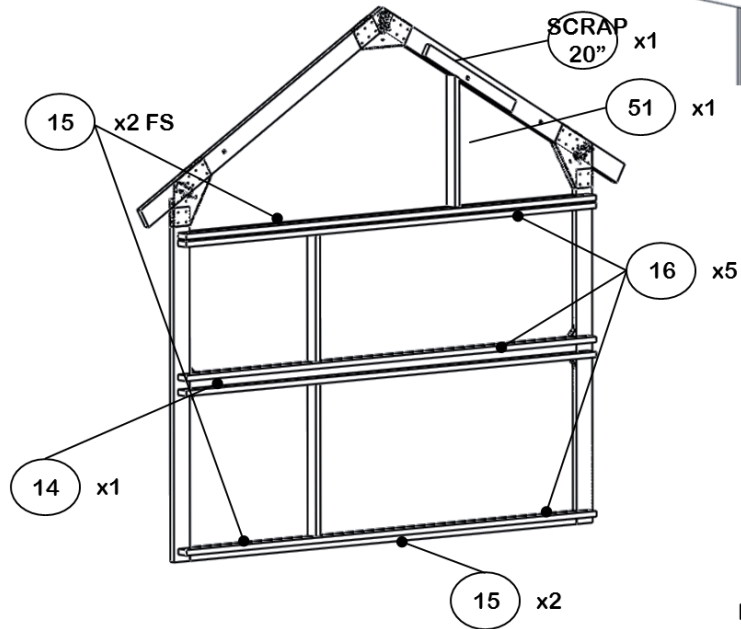


SEE SHOPPING & CUT LIST FOR MORE DETAIL

Item	Description	Quantity
10	BEND A SHED ANGLE BRACKET	6
11	BEND A SHED T-BRACKET	8
12	2x6x 7'-8"	4
13	2x6x 7'-10 1/2 "	4
14	2x6x 11'-1"	2
15	2x4x 11'-1"	4
16	2x4x 11'-9"	10
20	2x4x 2'-10 1/4 "	2
50	2x4x 3'-5"	2
51	2x4x 2'-11 1/4 "	2
	FLUSH HEAD SCREW X 1 1/2	BOX
	16d x 3 1/2 FRAMING NAILS	BOX

NOTE:

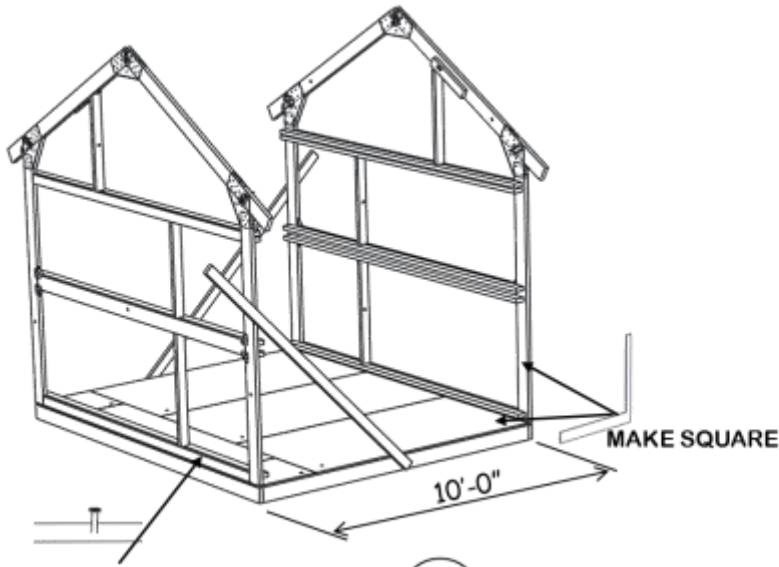
- TWO ASSEMBLIES REQUIRED
- 2x4's No 16 ARE NAILED FLUSH WITH THE TOP AND OR BOTTOM OF THE MATING MEMBER AS SHOWN BELOW
- PICK TWO POINTS YOU CAN MEASURE CORNER TO CORNER ON BOTH SIDES AND MAKE EQUAL (REFERENCE 14'-4 1/4 ")



BALLON QUANTITIES ARE FOR 1 ASSY 2 ASSY'S REQUIRED

Rear Wall 12 ft X 10 ft - 02

Bend-A-Shed
Best Bang For The Buck
Email: www.bendashed/contact.php
Web Site: www.bendashed.com



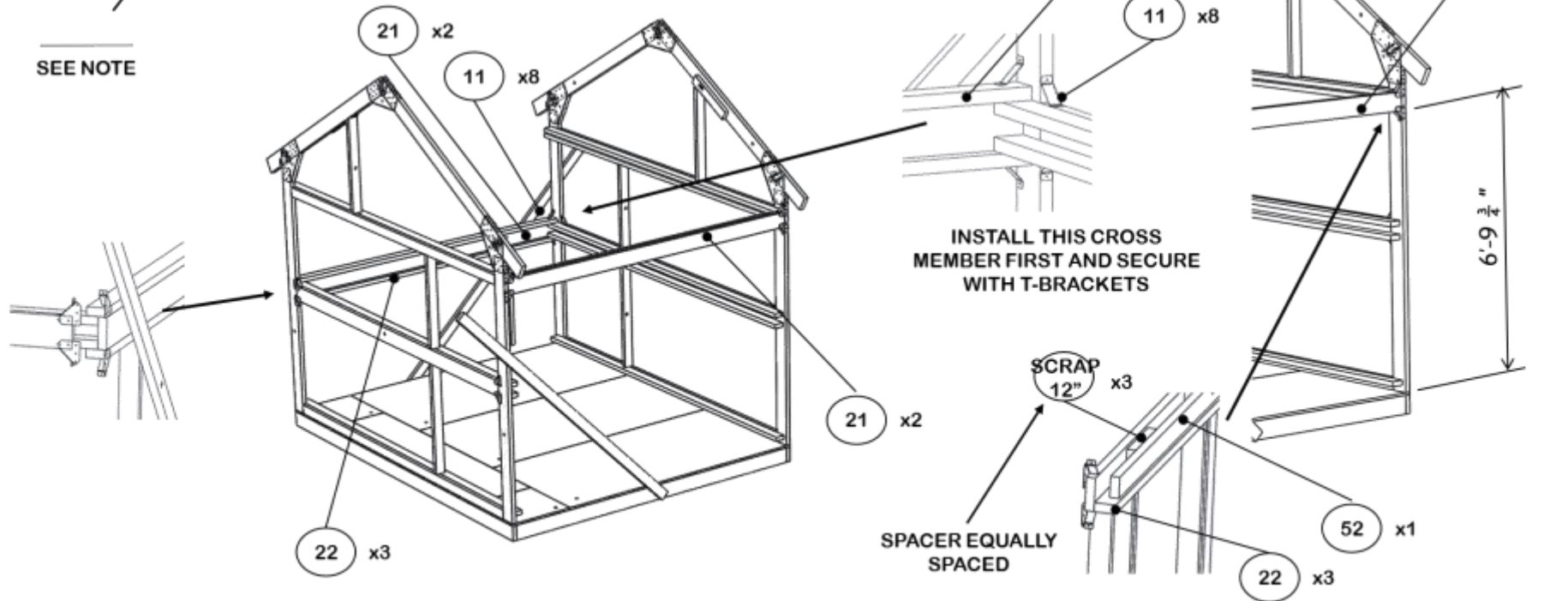
SEE NOTE

SEE SHOPPING & CUT LIST FOR MORE DETAIL

Item	Description	Quantity
11	BEND A SHED T-BRACKET	8
21	2x6x 9'-9"	2
22	2x4x 9'-9"	3
52	2x4x 9'-2"	1
	FLUSH HEAD SCREW #8 X 1 1/2	BOX
	16d x 3 1/2 FRAMING NAILS	BOX

NOTE:

- STAND THE TWO END WALLS ON THE FLOOR AND TACK IN PLACE TO SECURE UNTIL THE SIDE SUPPORTS CAN BE PUT IN PLACE.
- USE TWO NAILS TO TEMPORARILY TACK THE WALLS TO THE FLOOR. THEY MAY HAVE TO BE MOVED A LITTLE SO LEAVE NAIL HEAD ABOVE THE WOOD FOR EASE OF PULLING OUT
- THE CLOSER TO SQUARE YOU MAKE THE END WALLS THE EASIER THE BALANCE OF THE CONSTRUCTION WILL BE



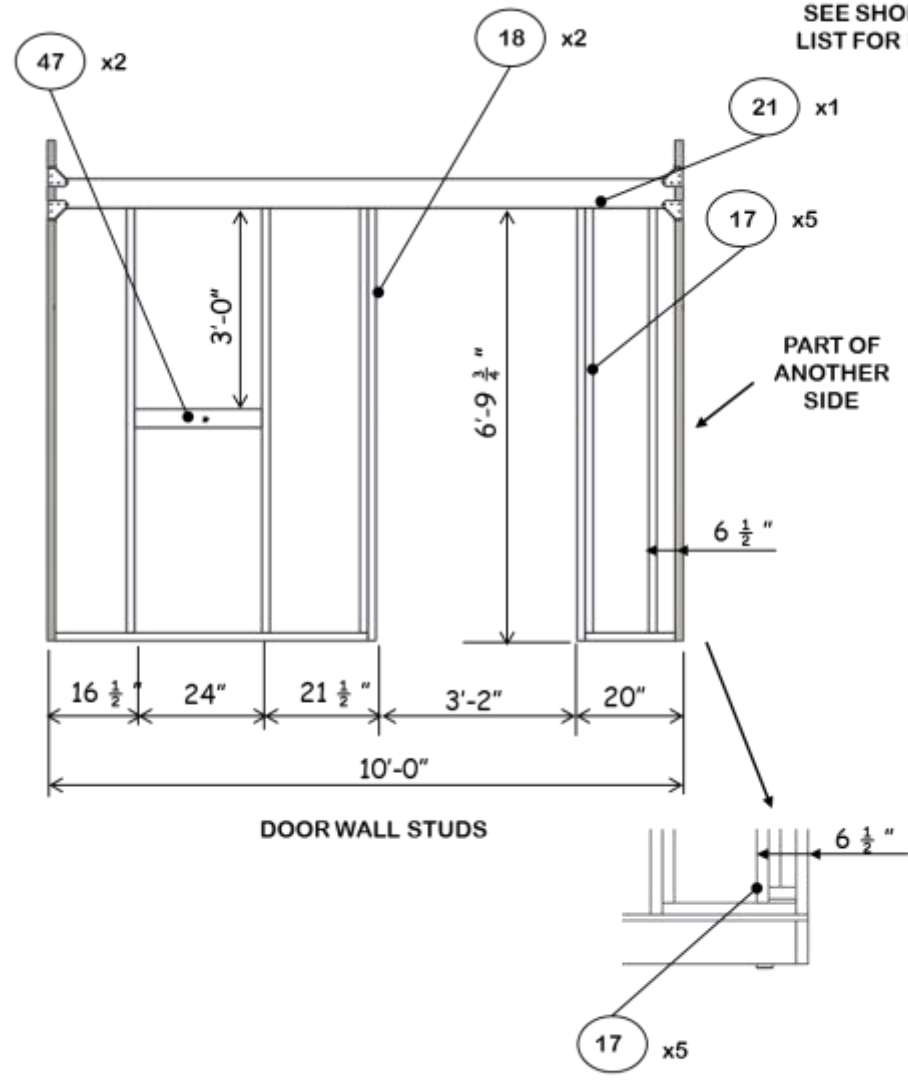
Wall Erection w/ sides
12 ft X 10 ft - 02

Bend-A-Shed
 Best Bang For The Buck
 Email: www.bendashed/contact.php
 Web Site: www.bendashed.com

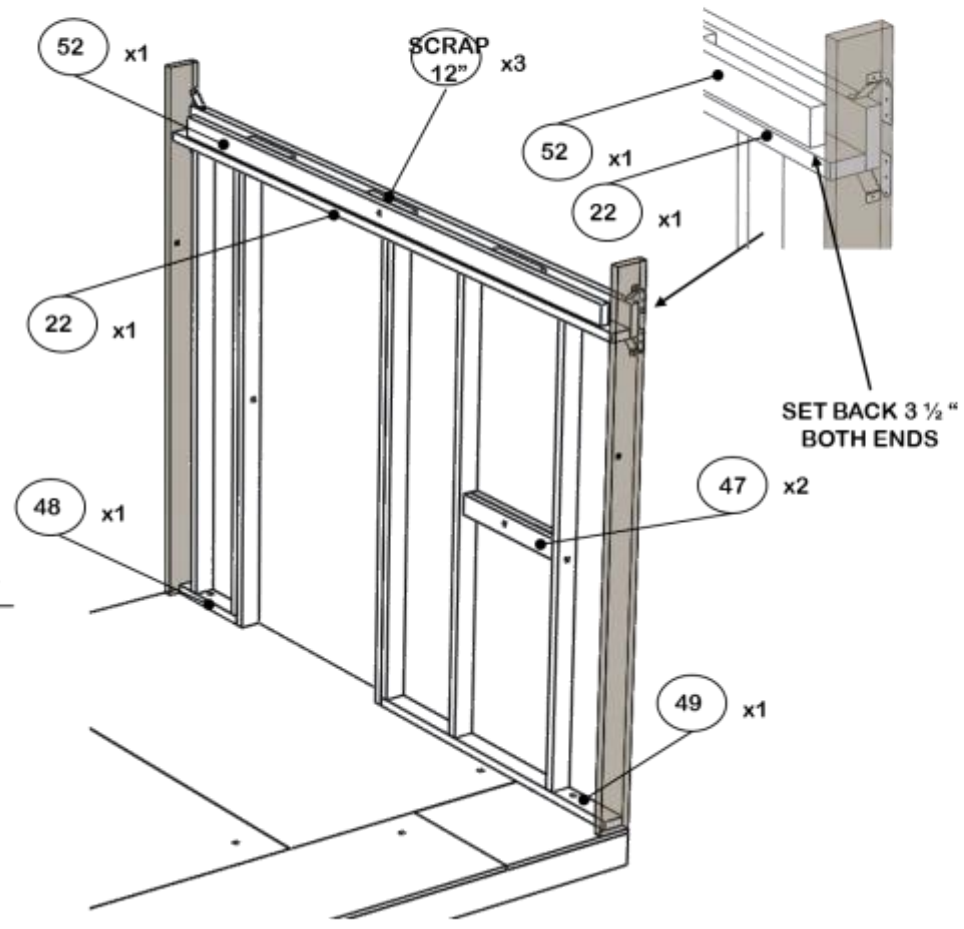
Sheet
 5 of 10

Item	Description	Quantity
17	2x4x 6'-8 1/4"	5
18	2x4x 6'-9 3/4"	2
21	2x6x 9'-9"	1
22	2x4x 9'-9"	2
47	2x4x 2'-0"	1
48	2x4x 17"	2
49	2x4x 4'-11"	1
52	2x4x 9'-2"	1
16d x 3 1/2" FRAMING NAIL		

SEE SHOPPING & CUT LIST FOR MORE DETAIL

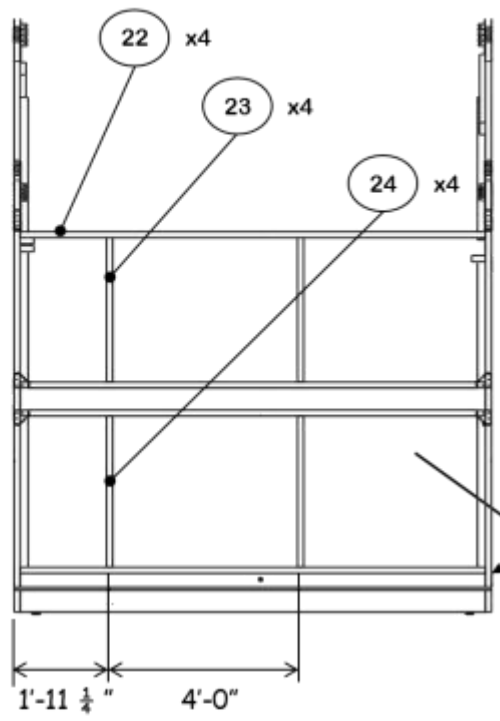


DOOR WALL STUDS



Side Wall & Roof 12 ft X 10 ft - 02

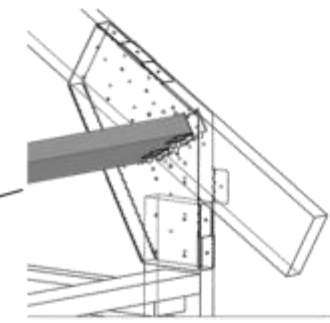
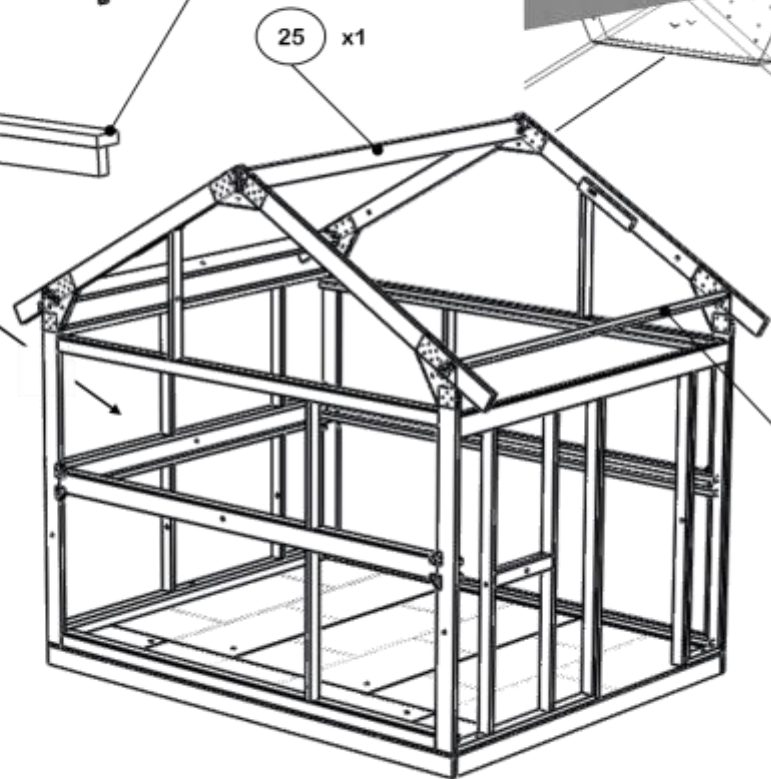
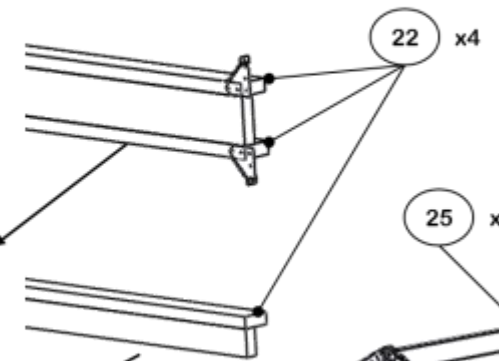
Bend-A-Shed
Best Bang For The Buck
Email: www.bendashed/contact.php
Web Site: www.bendashed.com



BACK WALL STUDS

SEE SHOPPING & CUT LIST FOR MORE DETAIL

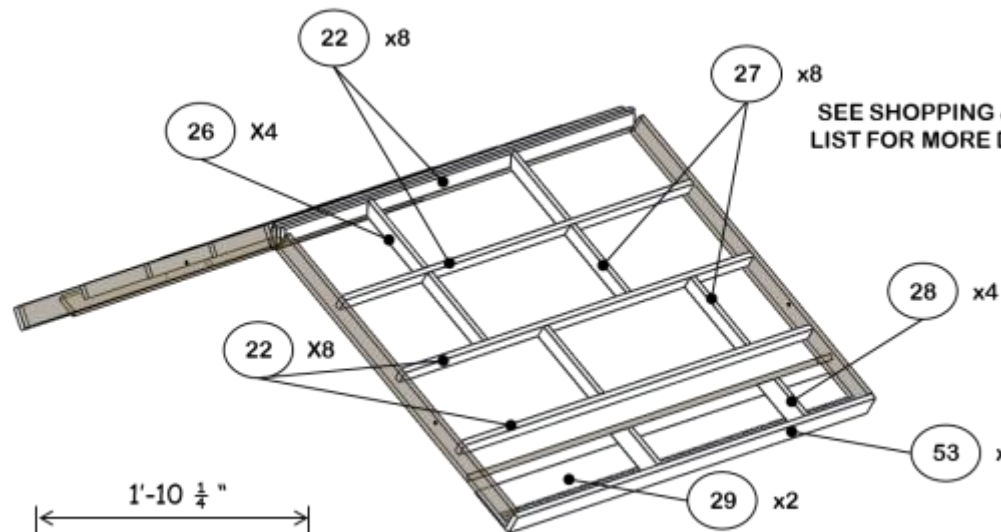
Item	Description	Quantity
21	2x6x 9'-9"	2
22	2x4x 9'-9"	4
23	2x4x 3'-0 1/4 "	2
24	2x4x 3'-2"	2
25	2x6x 10'-0"	1
	FLUSH HEAD SCREW #8 x 1 1/2	BOX
	16d x 3 1/2 FRAMING NAIL	BOX



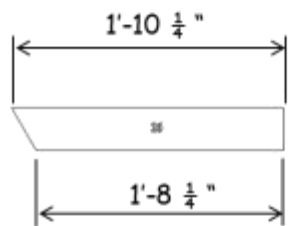
NOTE:
 • YOU CAN NAIL THROUGH THE BEND A SHED ANGLE BRACKETS INTO THE END OF ITEMS 21 & 25

Side Wall & Roof 12 ft X 10 ft - 02

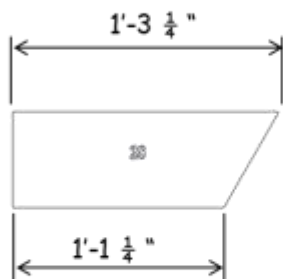
Bend-A-Shed
 Best Bang For The Buck
 Email: www.bendashed/contact.php
 Web Site: www.bendashed.com



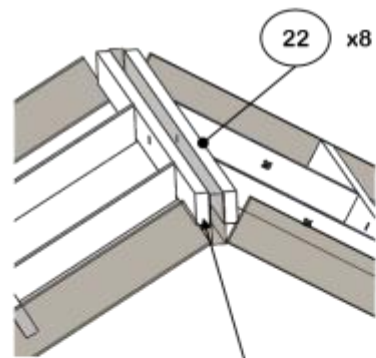
Item	Description	Quantity
22	2x4x 9'-9"	8
26	2x4x 1'-10 1/4" SEE DETAIL	4
27	2x4x 1'-10 1/2"	8
28	2x4x 1'-3 1/4"	4
53	2x6x 10'-3-7/8"	2
29	SOFFIT x 10'-0"	2
	16d x 3 1/2" FRAMING NAIL	



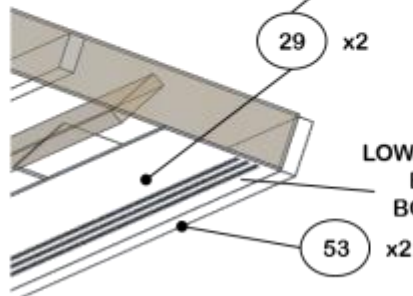
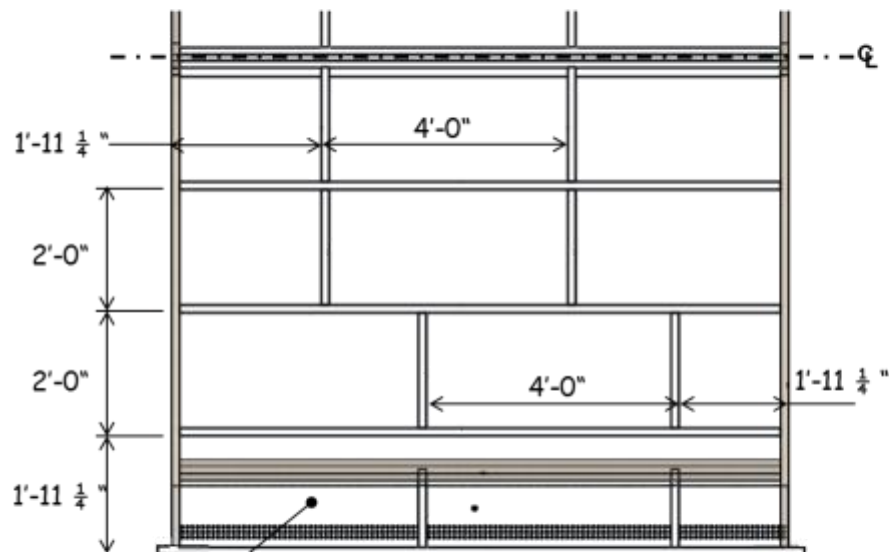
Item 26



Item 28



ITEM 22 IS NAILED FLUSH WITH THE TOP OF THE RIDGE BEAM

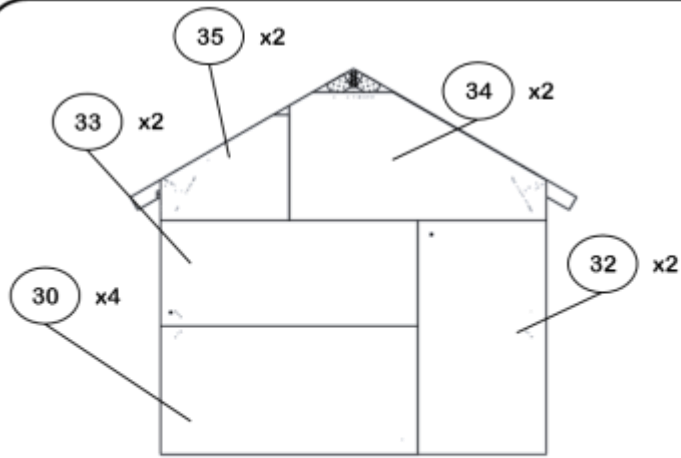


LOWER ITEM 53 ENOUGH TO BE FLUSH WITH THE BOTTOM OF SOFFIT 29.

NOTE:
 • SHADED ITEMS ARE PART OF ANOTHER DETAIL SHEET

Roof Framing 12 ft X 10 ft - 02

Bend-A-Shed
 Best Bang For The Buck
 Email: www.bendashed/contact.php
 Web Site: www.bendashed.com

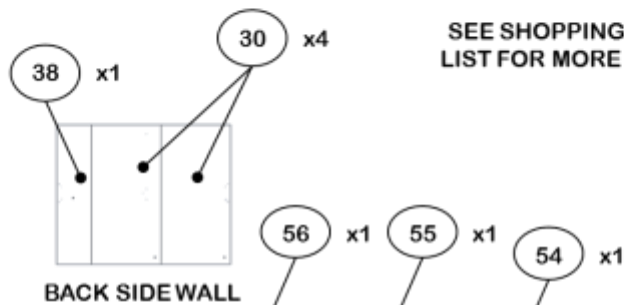
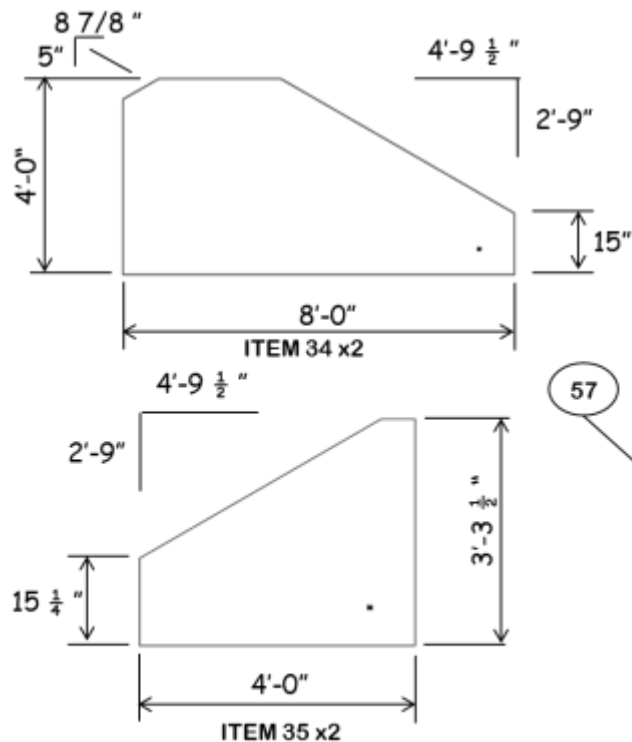


REAR WALL 2 REQUIRED

NOTE:

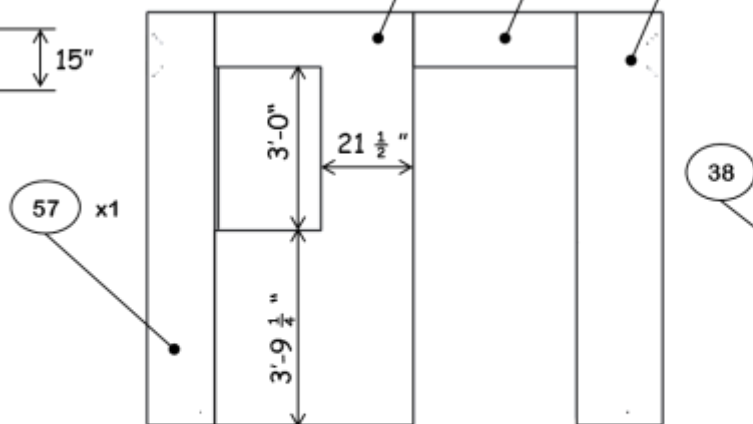
- START INSTALLING THE SHEETING ON ONE OF THE SIDE CORNERS BY HOLDING FLUSH WITH THE 2x6 CORNER POST AND UP TIGHT AGAINST THE SOFFIT.
- THIS WILL SET THE STARTING POINT ON THE BOTTOM OF THE FRONT AND REAR WALL

Item	Description	Quantity
30	7/16 OSB BOARD 48 x 96	4
32	7/16 OSB BOARD 48 x 87 1/2	2
33	7/16 OSB BOARD 39 1/2 x 96	2
34	7/16 OSB BOARD SEE DETAIL BELOW	2
35	7/16 OSB BOARD SEE DETAIL BELOW	2
38	7/16 OSB BOARD 24 x 96	1
54	7/16 OSB BOARD 1'-8" x 8'-0"	1
55	7/16 OSB BOARD 1'-0 3/4" x 3'-0"	1
56	7/16 OSB BOARD 3'-10 1/4" x 8'-0"	1
57	7/16 OSB BOARD 1'-3 3/4" x 8'-0"	1
42	Z-FLASHING 50 ft 8d x 1 1/2 GALV NAIL	



BACK SIDE WALL

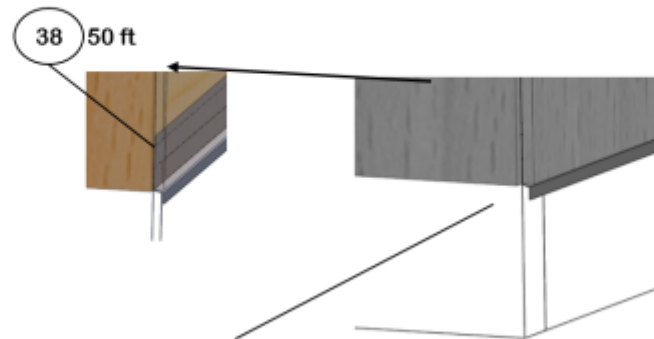
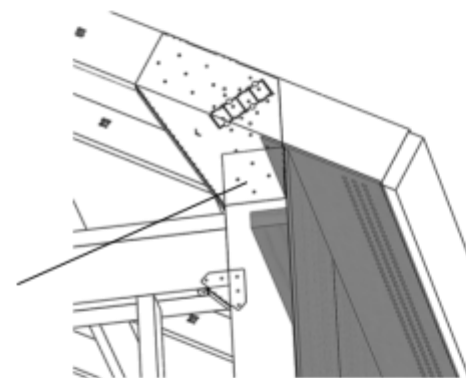
SEE SHOPPING & CUT LIST FOR MORE DETAIL

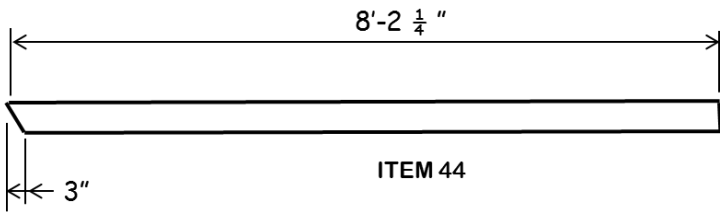
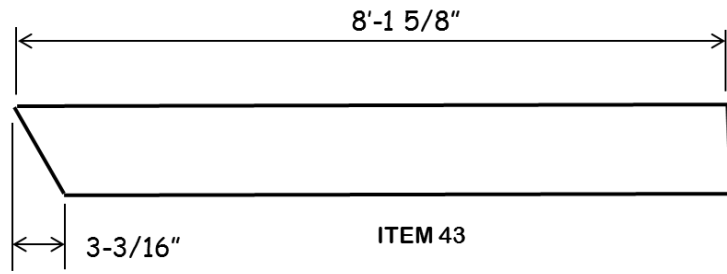


FRONT SIDE WALL

NOTE:

- SET FRONT SHEETING EVEN WITH THE BOTTOM OF THE SHEETING ON THE SIDE WALL
- INSTALL Z-FLASHING UNDER AND BEHIND THE LOWER EDGES OF SHEETING

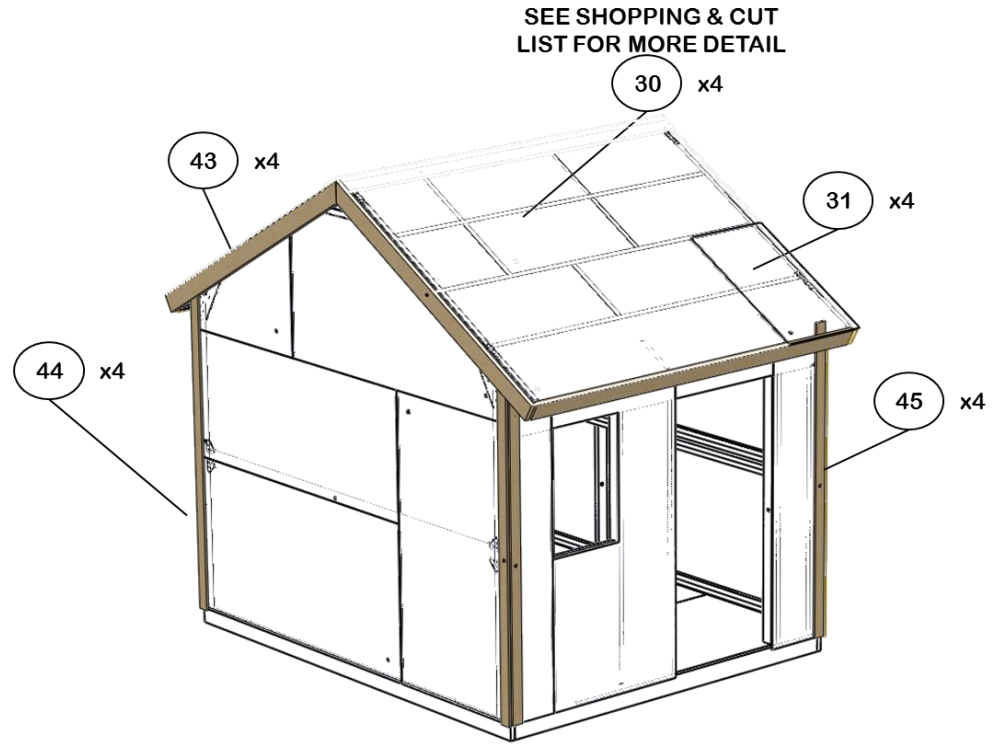




NOTE:

- FOR ROOFING, SIDING, WINDOWS AND DOOR SEE MANUFACTURER'S RECOMMENDED INSTRUCTIONS

Item	Description	Quantity
30	7/16 OSB BOARD 48x96	4
31	7/16 OSB BOARD 24x48	4
32	ROLL FELT PAPER	1
33	BUNDLES OF 3 TAB SHINGLES	7
34	EDGE FLASHING FOR SHINGLES 50 ft	
43	2x6x 8'-0"	4
44	1x4x 8'-2 1/4"	4
45	1x4x 8'-0"	4
	8d x 2 1/2 FINISH NAIL	BOX



NOTE:

- INSTALL TRIM 43 BEFORE THE ROOF SHEETING. THE ROOF SHEETING IS NAILED FLUSH WITH THE OUTSIDE EDGE OF THIS TRIM

Roof Sheeting and Trim

12 ft X 10 ft - 02

Bend-A-Shed
 Best Bang For The Buck
 Email: www.bendashed/contact.php
 Web Site: www.bendashed.com